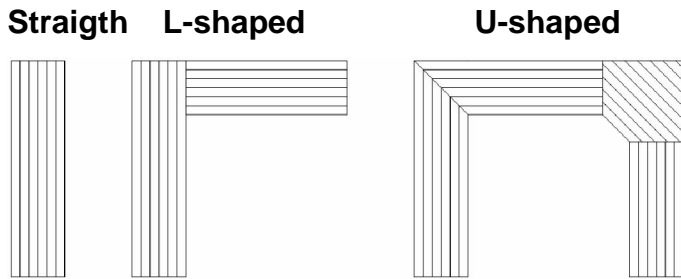
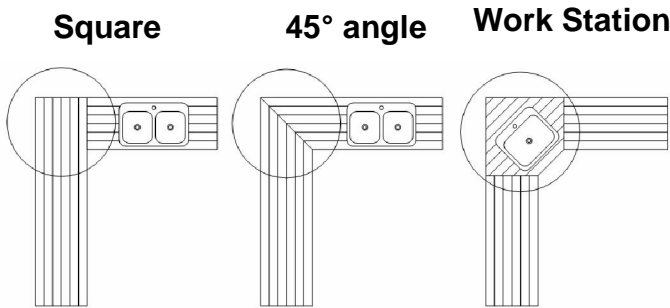


Choosing your countertop in five easy steps

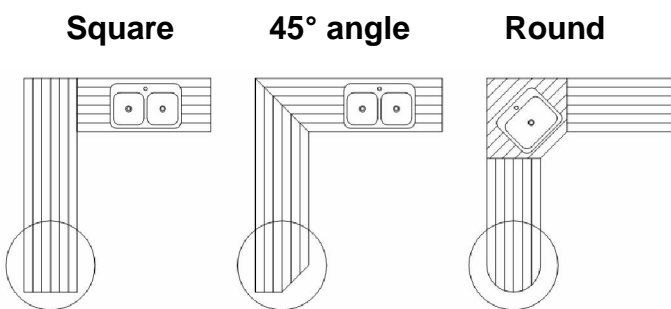
1. Shape



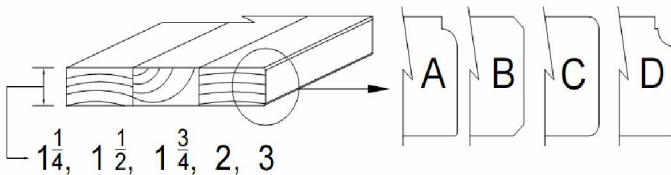
2. Assembly type



3. End shape



4. Thickness and edge profile



5. The finish and species should be selected according to usage

I will cut food directly on the counter top.	I will not cut food directly on the counter top.
---	---

Finish

Bee's wax finish Bizzz™	Bizzz™ Poly-merized Oil***	Varnish
-----------------------------------	-----------------------------------	---------

Maintenance*

Easy maintenance (mild soap and water)** Application of Bizzz™ bee's wax protection once a month or as needed	Easy maintenance (mild soap and water)** Application of poly-merized***oil once a month or as needed	Easy maintenance (mild soap and water)**
--	---	--

Species available

Maple Walnut Cherry	Maple Walnut Cherry Oak
---------------------------	----------------------------------

*You will sooner or later have to restore your countertop. Refer to the information sheet on counter top restoration.

**Refer to information sheet Maintenance and health precautions.

*****Attention**, this product contains tung nut oil and may cause an allergique reaction.

Other information sheets available:

- Pros and cons of finishes for countertops
- Installing a counter top

All PDF documents are available on www.bizier.ca under wood counter tops tab.